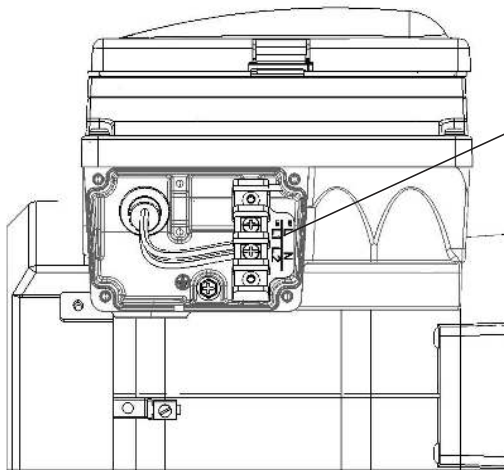


IntelliFlo® / IntelliPro® Pump Wiring Instructions



RISK OF ELECTRICAL SHOCK OR ELECTROCUTION:

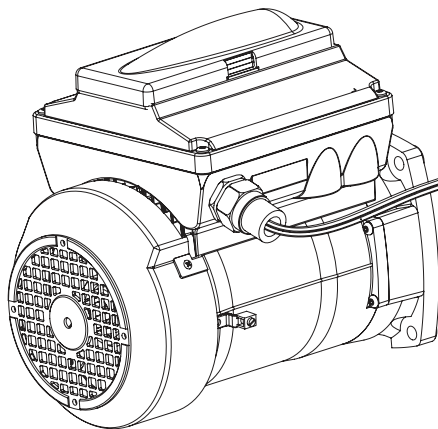
PUMPS REQUIRE HIGH VOLTAGE WHICH CAN SHOCK, BURN, OR CAUSE DEATH. BEFORE WORKING ON PUMP! Always disconnect power to the pool pump at the circuit breaker from the pump before servicing the pump. Failure to do so could result in death or serious injury to service person, pool users or others due to electric shock.



FIELD WIRING COMPARTMENT CONNECTIONS

L1 = HOT LEAD
L2 = HOT LEAD
GREEN SCREW = GROUND LEAD

Drive with a Field Wiring compartment



GROUND WIRE
(GREEN)

IntelliFlo Wiring Harness

RED = HOT
RED = HOT
GREEN/YELLOW STRIPE = GROUND

Drive with a 3-Wire Harness

Technical Support: (800) 831-7133 www.pentairpool.com - www.staritepool.com

© 2009 Pentair Water Pool and Spa, Inc. All rights reserved

1620 Hawkins Ave., Sanford, NC 27330 (919) 566-8000 -10951 West Los Angeles Ave., Moorpark, CA 93021 (805) 553-5000



IntelliFlo®, IntelliPro® and Pentair Water Pool and Spa® are trademarks and/or registered trademarks of Pentair Water Pool and Spa, Inc. Unless noted, names and brands of others that may be used in this document are not used to indicate an affiliation or endorsement between the proprietors of these names and brands and Pentair Water Pool and Spa, Inc. Those names and brands may be the trademarks or registered trademarks of those parties or others.

P/N 350650 - Rev A - 06/26/09